

PRESCRIBED BURN PLAN

Date: 11/1/12

Tract Name T Beroth
Owner/Agent Greg Conner
Phone # 336-971-5069
Community Rose Hill
Intsec/Location Betholite & Brices Station
Block #'s West, Central, North, Swamp

Firelines	%	Installed?
Blade	65	Yes
Disc	25	Yes
Hand		
Wet		
Natural	10	Yes

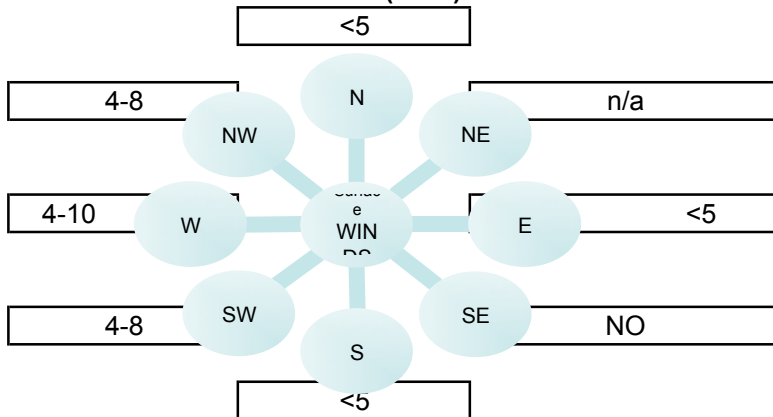
Operation Type	Acres
Pine Stand - Silviculture	
Pine Stand - Wildlife	
Pine Stand - Haz. Red.	
Mixed Stand - Silviculture	
Mixed Stand - Wildlife	
Grass / Field - Wildlife	50
Site Prep.- Pine	
Site Prep.- Hdwd	63
Other:	
Fuel Tonnage	830

Fuel Information	Tons/ac	Model
Light Grasses	3	1
Prairie Grasses	6	3
Timber Savanna	5	2
Hardwood Litter	5	9
Mixed Litter	6	9
Pine Litter	6	9
Heavy Pine	8	10
Typical Slash	10	11
Logging Slash	15-20	12

Ecosystem Characteristics			
Height to Live Crown		0	ft
Average tree diameter		0	in
Basal Area		0	sf
Aspect & Slope	all	1	%
Overstory 1		None	
Overstory 2		None	
Understory 1		woody	
Understory 2		panic grass	
Available Fuel Continuity		80	%

Objectives	%
Reduction of fine fuels	60
Reduction of 1 hour fuels	50
Reduction of 10 hr fuels	30
Topkill saplings <1"	n/a
Topkill saplings >1-2"	n/a
Intiate/maintain fire ecosystem	yes
Increase herbaceous/diversity	yes
Improve wildlife suitability	yes
Other:	

PREFERRED WINDS (MPH)



Smoke Sensitive Area:	Dir.	Mi.
Occupied Homes	northwest	0.5
Development(s)	east	3
Major Roads	east	3
Town/Community	east	3

Acceptable Transport Winds	min- MAX
Any	2500-6000
Mixing Height (ft)	45-85
Temperature (F)	25-50
Rel. Humidity (%)	

Additional Notes/Comments:

Hog houses to the south. Fireline must be tied to swamp on SE corner of swamp block. Difficult crossing on power ROW between north block and swamp block. Some areas of the fireline are deep mud.

Date: 01/23/13

Spot Weather

WNW 5-8	Direction - Windspeed
42	Relative Humidity
12%	Approx. Fuel Moisture
Burn Boss	Brandon L. Price, #453
Witness	Robert Turner

Ignition Checklist

Acceptable Weather?	Good
Firelines adequate?	OK
Enough Manpower?	Yes
LO's & Agency notified?	Yes
Burn Permit Received	Yes

PRESCRIBED BURN PLAN

Date: 2/1/14

Tract Name T Beroth
Owner/Agent _____
Phone # 336.983.4352 office
Community Rose Hill
Intsec/Location Betholite & Brices Station
Block #'s West, Central, North, Swamp

Firelines	%	Installed?
Blade	75	Mowed
Disc	0	
Hand	15	No
Hose		
Natural	10	Yes

Operation Type	Acres	Fuel Information	Tons/ac	Model
Pine Stand - Silviculture		Light Grasses	3	1 x
Pine Stand - Wildlife		Prairie Grasses	6	3
Pine Stand - Haz. Red.		Timber Savanna	5	2
Mixed Stand - Silviculture		Hardwood Litter	5	9
Mixed Stand - Wildlife		Mixed Litter	6	9
Grass / Field - Wildlife	100	Pine Litter	6	9
Site Prep.- Pine		Heavy Pine	8	10
Site Prep.- Hdwd	13	Typical Slash	10	11 x
Other:		Logging Slash	15-20	12
Fuel Tonnage	530			

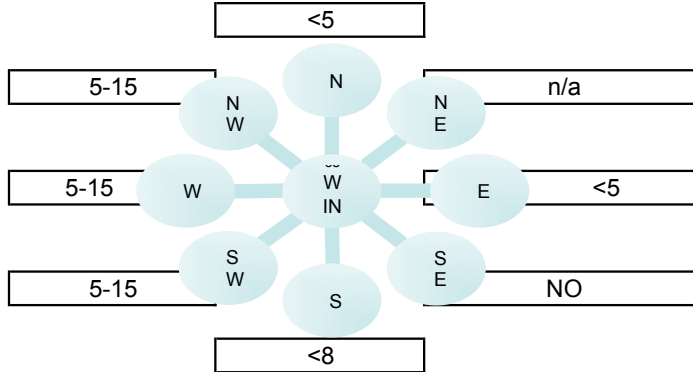
Ecosystem Characteristics

Height to Live Crown	0.1	ft
Average tree diameter	0.5	in
Basal Area	0	sf
Aspect & Slope	all	1 %
Overstory 1	None	
Overstory 2	None	
Understory 1	Longleaf seedlings	
Understory 2	panic grass & 10 hr	
Available Fuel Continuity	80	%

Objectives

	%
Reduction of fine fuels	80
Reduction of 1 hour fuels	50
Reduction of 10 hr fuels	30
Topkill saplings <1"	50
Topkill saplings >1-2"	n/a
Intiate/maintain fire ecosystem	yes
Increase herbaceous/diversity	yes
Improve wildlife suitability	yes
Other: release seedlings	yes

PREFERRED WINDS (MPH)



Smoke Sensitive Area:

	Dir.	Mi.
Occupied Homes	northwest	0.5
Development(s)	east	3
Major Roads	east	3
Town/Community	east	3

Acceptable Transport Winds

Any	
Mixing Height (ft)	min- MAX 2500-6000
Temperature (F)	45-85
Rel. Humidity (%)	25-50

Additional Notes/Comments:

Hog houses to the south. Fireline must be tied to swamp on SE corner of swamp block. Difficult crossing on power ROW between north block and swamp block. Some areas of the fireline are deep mud. Fireline will need improvement with hand tools or hose.

Spot Weather

Date: 3/14/14

Ignition Checklist

<u>SSW-W, 4-10G16</u>	<u>Direction - Windspeed</u>
<u>28%</u>	<u>Relative Humidity</u>
<u>10%</u>	<u>Approx. Fuel Moisture</u>
Burn Boss	<u>Brandon L. Price, #453</u>
Witness	<u>Robert Turner</u>

Acceptable Weather?
Firelines adequate?
Enough Manpower?
LO's & Agency notified?
Burn Permit Received

OK
OK
Yes
Yes
Yes

Poge, LLC
Franklin County, NC



Date: 2/13/2013
1 inch = 500 feet
0 250 500 1,000 Feet

This map is not a survey. Boundary lines were drawn from county tax maps and should be considered approximate. No warranty is made as to the completeness or accuracy of the information.

Timber Marketing and Management
of the Carolinas, Inc.

800 Salem Woods Dr. Suite 101

Raleigh, NC 27615

www.tmmoc.com

info@tmmoc.com

(919) 846-7520



Betholite-Rd

1420 ft

1993

© 2013 Google

Google earth

Imagery Date: 10/22/2012 lat 34.832573° lon -78.096382° elev 119 ft eye alt 6243 ft